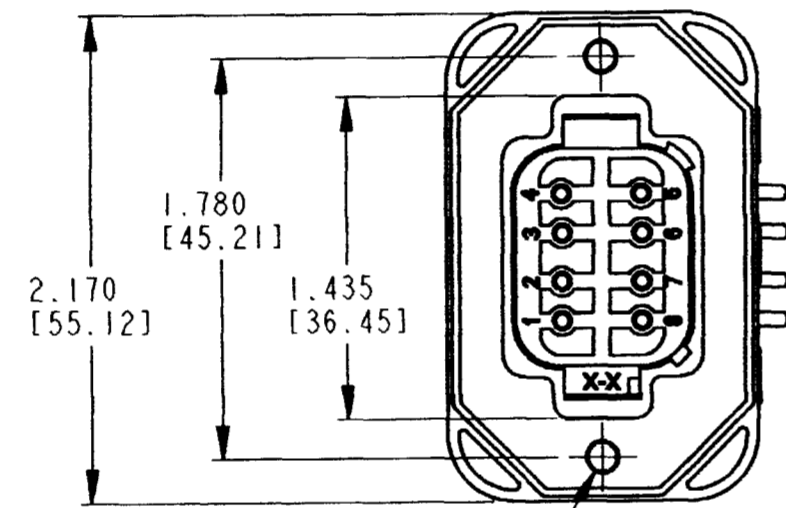
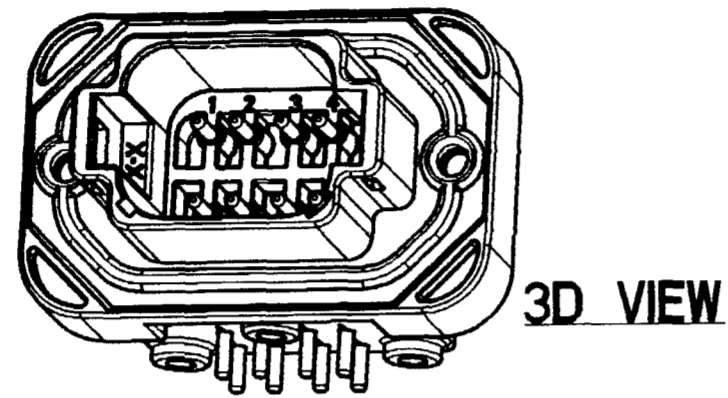
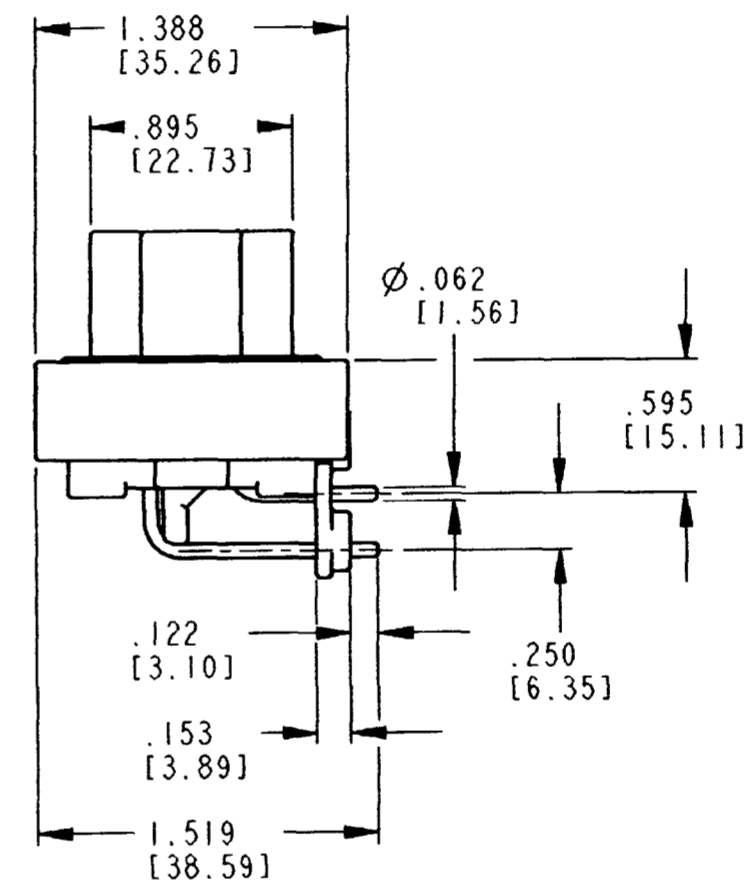
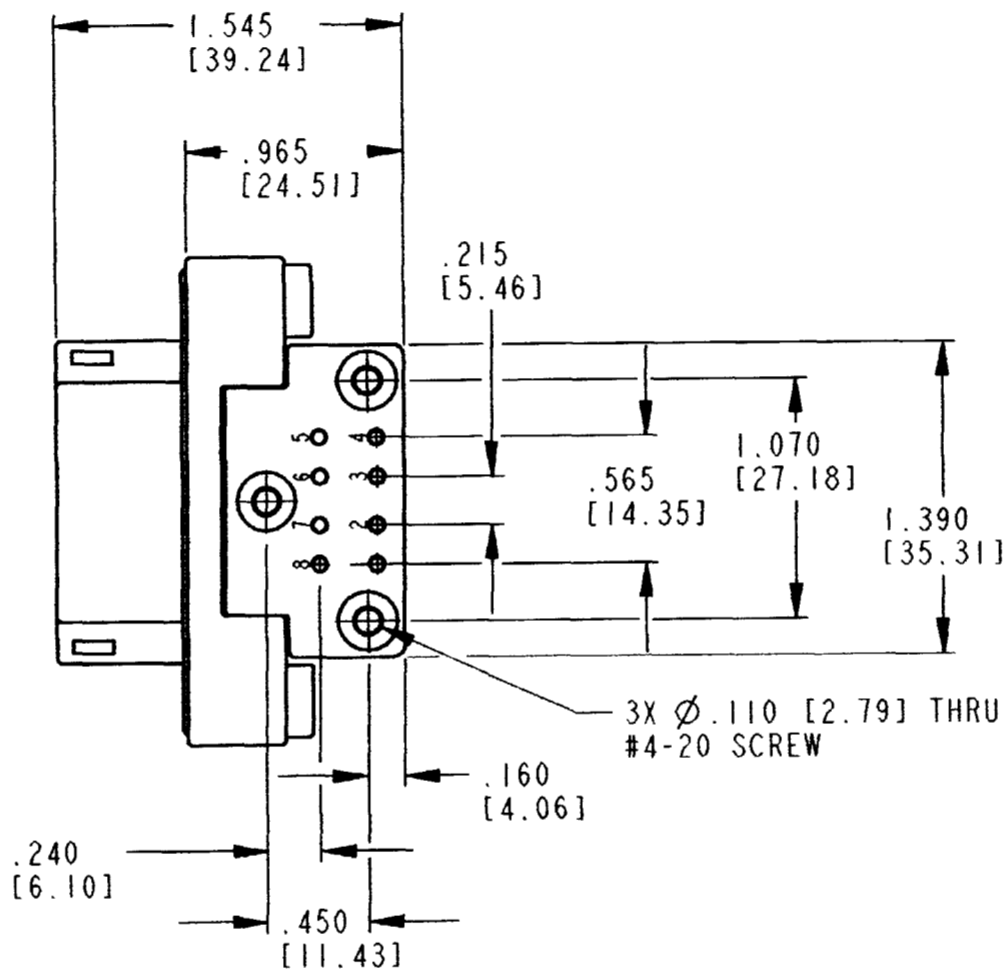


REV
C DT13-08P *

REVISIONS			
SYM	DESCRIPTION	DATE	APPROVED
NC	NEW RELEASE PER E.O. A13624	6/29/94	J.A.
A	REVISED PER E.O. A14754	10/28/94	R.R.
B	REACTIVATED PER E.O. P17409	10/23/01	R.D.R.
C	REVISED PER E.O. P19404	11-20-06	ADR



∅ .130 [3.30] BLIND HOLE
 ∇ .425 [10.80] #6-19 SCREW
 FLANGE SEAL NOT SHOWN FOR CLARITY.



6. MOUNTING SCREW TORQUE VALUES ARE AS FOLLOWS:
 #6-19 SCREWS: 13±2.0 IN-LB [1.47±0.23 N-M].
 #4-20 SCREWS: 8±2.0 IN-LB [.90±0.23 N-M].
 VALUES VALID FOR PLASTITE 48 SCREWS ONLY.
5. RECOMMENDED MOUNTING SCREWS (NOT INCLUDED): CAMCAR PLASTITE 48.
4. THIS RECEPTACLE MATES WITH DT06-8S* PLUG -****- ALL MODIFICATIONS.
3. SHELL MATERIAL: PLASTIC; FLANGE SEAL MATERIAL: RUBBER.
2. DIMENSION TOLERANCE: ±.025 [.64]; FOR PANEL CUTOUTS ±.010 [.25].

NOTES: 1. DIMENSIONS ARE IN INCHES [mm].

SIGNATURE & DATE	
DR	P. BURKE 09/05/01
CHK	[Signature] 11/20/06
PE	Kheku 11-15-06
APPD	[Signature] 11-20-06
SCALE	NONE WT

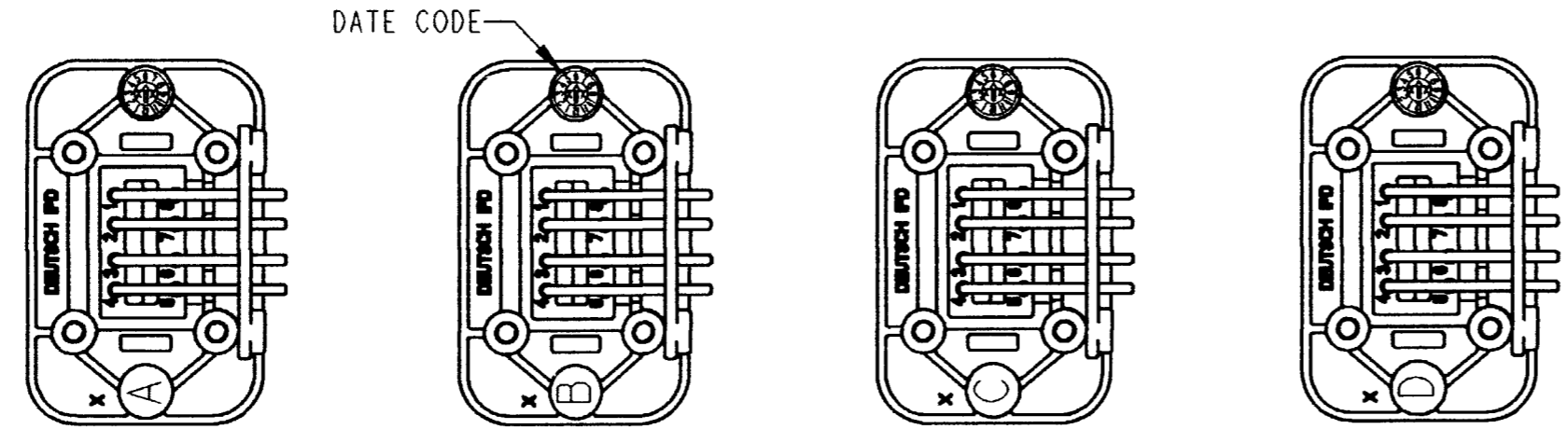
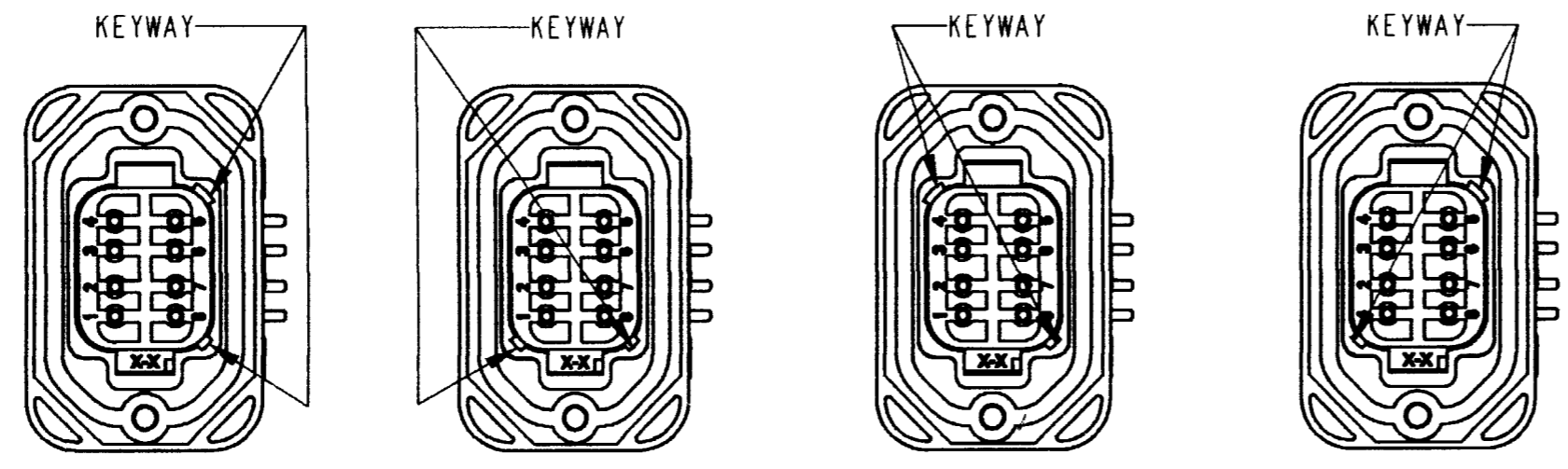
PCB MOUNT
 RECEPTACLE
 8 PIN - 90° TAILS
 DT SERIES

ENVELOPE

EP	MATL. CODE
The Deutsch Company DEUTSCH I.P.D. 3850 INDUSTRIAL AVE. HEMET, CALIF. 92545	
B	DT13-08P *
DWG SIZE	CODE 11139 SHEET 1 OF 2

REV
C DT13-08P*

REVISIONS			
SYM	DESCRIPTION	DATE	APPROVED
C	SEE SHEET ONE	11-20-06	ADR

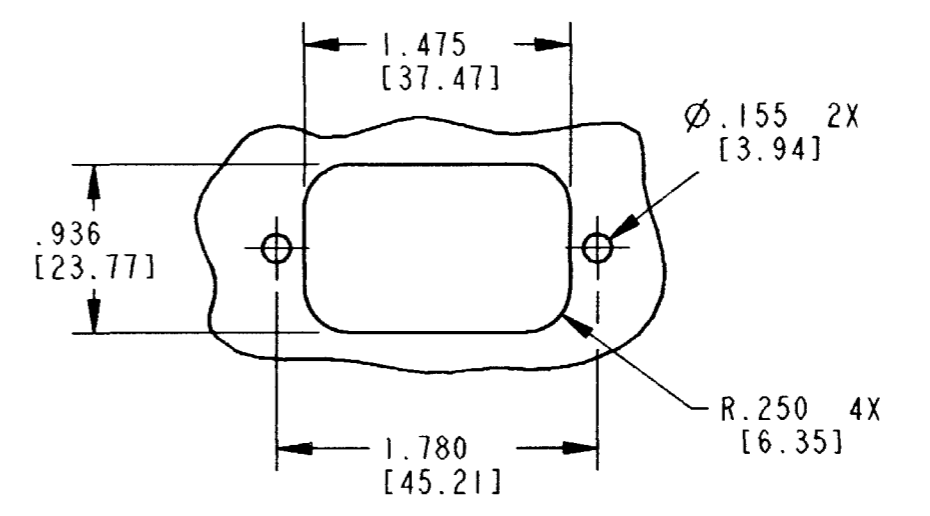
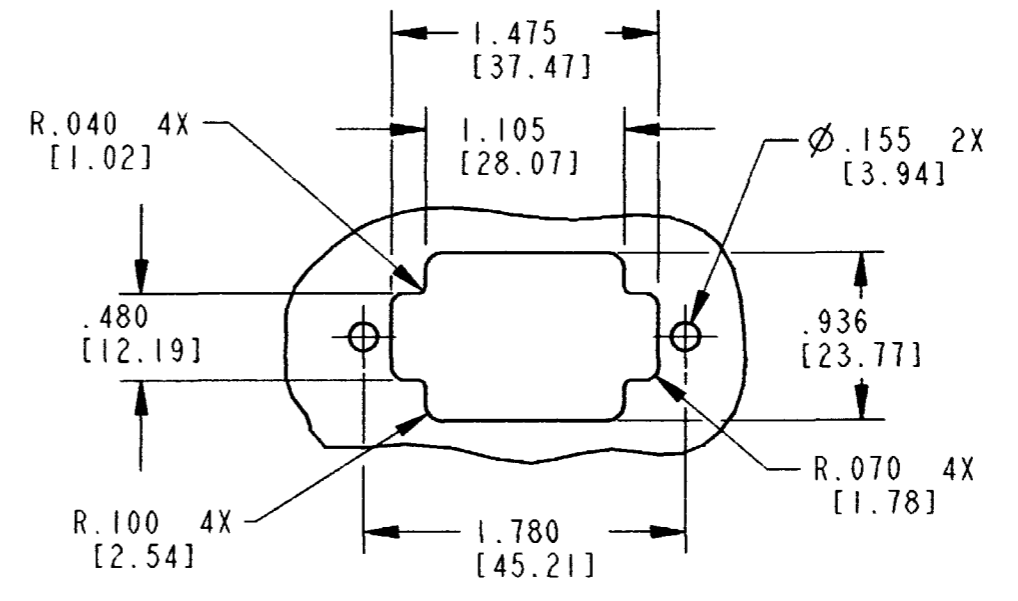


DT13-08PA
COLOR: GREY

DT13-08PB
COLOR: BLACK

DT13-08PC
COLOR: GREEN

DT13-08PD
COLOR: BROWN



RECOMMENDED PANEL CUTOUTS

NOTES:

SIGNATURE & DATE	
DR	P. BURKE 09/05/01
CHK	B. J. 11/13/06
PE	Adler 1/2-06
APPD	S Bend 11-7-06
SCALE	NONE
WT	

PCB MOUNT
RECEPTACLE
8 PIN - 90° TAILS
DT SERIES

ENVELOPE

EP	MATL CODE
The Deutch Company DEUTSCH I.P.D. 3850 INDUSTRIAL AVE. HEMET, CALIF. 92545	
B	DT13-08P*
DWG SIZE	CODE 11139 SHEET 2 OF 2